



701½ West First Street
Defiance, OH 43512
Phone 419-782-6211
architects@beilharzinc.com

April 29, 2024

STRYKER LOCAL SCHOOLS
Ag Ed Addition and Courtyard Infill
Stryker, Ohio

C0-4681

ADDENDUM 2

This Addendum becomes a part of the Contract Documents and modifies them only to the extent herein set forth. Bidders shall acknowledge receipt of this Addendum on the Bid Form. Each bidder is responsible for distribution of information conveyed by this Addendum to its subbidders and suppliers.

Attachments: Sheet C-101 (revised)
All-Phase Proposal for MSP
Bid Question Log #2

ITEM NO. 1: Addendum 1

Refer to Sheet C-101, E-112, E-121, and E-602 items below for revisions.

ITEM NO. 2: Section 01 1000 – Summary of Work

Add paragraph 2.01.A.4: HVAC Instrumentation and Control, Section 23 0900.

Delete paragraph 2.02.B.2. Under this contract, furnish and install MSP including main breaker. A preliminary submittal from All-Phase Electric Supply is attached for reference; manufacturers listed in Section 26 2400 are also acceptable.

Add paragraph 2.02.C.4: Clocks.

Add paragraph 2.02.C.5: Video surveillance cameras.

ITEM NO. 3: Section 23 0500 – Common Work Results for HVAC

Add paragraph 3.02.F: Coordinate HVAC equipment startup with Owner's controls vendor, Beamont Heating.

ITEM NO. 4: Section 26 2400 – Switchboards and Panelboards

Add paragraph 2.03 SWITCHBOARDS:

- A. Circuit Breaker Switchboards: Multiple section type; freestanding floor mounted vertical sections bolted together to form one rigid switchgear, front and rear aligned, front accessible; UL listed and labeled for use as service entrance equipment. (Square D QED-2)

- B. Short Circuit Current Rating: 65,000 amps, RMS symmetrical.
- C. Enclosures: Type as scheduled in Section 260533 for installed location; sheet steel with baked enamel finish; hinged front covers; screw attached side, top, and rear panels.
- D. Bussing: Aluminum or copper; sized for temperature rise in accordance with UL 891.
 - 1. Through Bus: Full length, 100% rated, with provisions for future extensions.
 - 2. Neutral Bus: Full length, 100% rated, with provisions for future extensions; isolated from ground, except on line side of main switch.
 - 3. Ground Bus: Uninsulated; firmly secured to each unit frame.
- E. Main Section: Incoming cable lugs and main disconnect; with main bonding jumper and lug attached to ground bus for connection to grounding electrode.
 - 1. Main Disconnect: Stationary mounted, solid state trip, molded case circuit breaker; adjustable continuous current setting, adjustable short time pickup, adjustable instantaneous trip, adjustable ground fault current and time settings; with neutral current transformer; with trip button in front cover for mechanically tripping breaker.
- F. Distribution Section: Panelboard with group mounted circuit breakers; with blank fillers to cover unused mounting spaces. Provide bussing for all spaces so that no additional work is required to add devices or sections in the future. (Square D I-LINE)

ITEM NO. 5: Section 265000 – Lighting

Paragraph 2.01.C.1: Add Metalux CGTX series.

Paragraph 2.01.C.2: Add Metalux VHB series.

Paragraph 2.01.C.3: Add Metalux SNX series.

Paragraph 2.01.C.4: Add Halo VT series.

Paragraph 2.01.C.5.a: Add Lumark AXCS series.

Paragraph 2.01.C.5.b: Add Lumark AXCL series.

Add paragraph 2.01.C.6: Enclosed Fixtures: Listed for wet locations; fiberglass or polycarbonate housing; stainless steel mounting brackets; frosted acrylic lens, secured to housing with gasket and stainless steel latches; wide distribution; 101 inch maximum length, 5¾ inch maximum height, 7 inch maximum width. (Lithonia FEM series; Metalux APVT series)

Paragraph 2.01.D: Change Sure-Lites model to CX6 series.

ITEM NO. 6: Sheet C-101 – Site Development Plan and Details

Refer to the attached revised Drawing for additional construction fence. Include double 3' gate at location selected by Owner.

ITEM NO. 7: Sheet AE111 – Courtyard Infill Floor Plans

Courtyard Infill First Floor Plan 1: Change door C111A swing from RH to LH.

ITEM NO. 8: Sheet AE121 – Roof Plans and Roofing Details

Courtyard Infill Roof Plan 1: Where tapered insulation is added to existing roof, and similar areas of tie-in to existing roofing, match existing roofing materials and conditions.

ITEM NO. 9: Sheet M-112 – Ag Ed HVAC Floor Plans

Keynote 4: Provide two 4” diameter flexible duct vents similar to dryer venting, terminated with exterior aluminum discharge cap. Connect to Owner-furnished equipment.

ITEM NO. 10: Sheet E-112 – Ag Ed Power, Lighting, Communications & Fire Alarm Plans

Replace General Lighting Note 1 with the following: Exit and emergency fixtures shall be powered from generator power panels LP-LSA (in Building A1 first floor electrical room south of gym) or LP-LSB (in Building 1A second floor electrical room east of north stair).

Ag Ed Lighting/Ceiling Power Plan:

1. W2 fixture on south wall, and C2 fixtures at east and west ends of exterior canopy, shall be connected to generator power with switch bypass device.
2. Relocate existing exterior camera to location indicated by Keynote 6 at east end of exterior canopy.
3. Add Keynote 6 for new cameras in northwest corner of Ag-Ed Lab 149 and southwest corner of Ag-Ed Classroom 155 (refer to Sheet AE112 for room identification).

ITEM NO. 11: Sheet E-121 – Courtyard Infill Lighting, Communications & Fire Alarm Plans, Light Fixture Schedule and Elevator Pit Plan

Courtyard Infill First Floor Lighting Plan 1: Add Keynote 6 for new cameras in southwest corner of Fine Arts Classroom C104 and on southwest angled wall of Event Team Room C111.

Light Fixture Schedule:

1. B1EM, B2EM, B3EM, B4EM, C1EM: Delete emergency battery packs. Provide generator transfer device integrated with fixture, or an external switch bypass device, to override local switching and connect to emergency power on loss of normal power.
2. C2: Revise model number to FEM L96 12000LM IMAFD WD 35K 80CRI.
3. E1: Delete note for remote exterior head.
4. W2 wall sconce shall have 10’-0” mounting height to center.
5. W3 wall sconce shall have 18’-0” mounting height to center.

ITEM NO. 12: Sheet E-602 – Courtyard Service Diagram

Service Riser Diagram 1: At Main Service Panel MSP, revise note to read “Main breaker section, main service panel MSP, and breakers.”

END OF ADDENDUM

NO.	DATE	DESCRIPTION
1	04.02.24	BIDS AND PERMITS
2	04.18.24	ADDENDUM 1
3	04.29.24	ADDENDUM 2

© 2024 BELHARZ ARCHITECTS, INC.
 THE CONTENT OF THIS DRAWING IS NOT INTENDED TO BE REPRODUCED FOR USE OR REUSE BY INDIVIDUALS, COMPANIES, CORPORATIONS, OR OTHER ENTITIES FOR ANY PURPOSE OTHER THAN THE INTENDED PURPOSE OF THE DOCUMENT, NOR FOR USE ON ANY OTHER PROJECT. ANY REUSE OR REPRODUCTION WITHOUT WRITTEN VERIFICATION AND APPROVAL BY THE ARCHITECT FOR THE SPECIFIC PURPOSE INTENDED SHALL BE AT THE USER'S SOLE RISK AND WITHOUT LIABILITY OF LEGAL EXPOSURE TO THE ARCHITECT.

STRYKER LOCAL SCHOOLS
 AG. ED. ADDITION & COURTYARD INFILL
 400 SOUTH DEFIANCE STREET, STRYKER, OHIO 43357

SITE DEVELOPMENT PLAN AND DETAILS

PROJECT: CO-4681

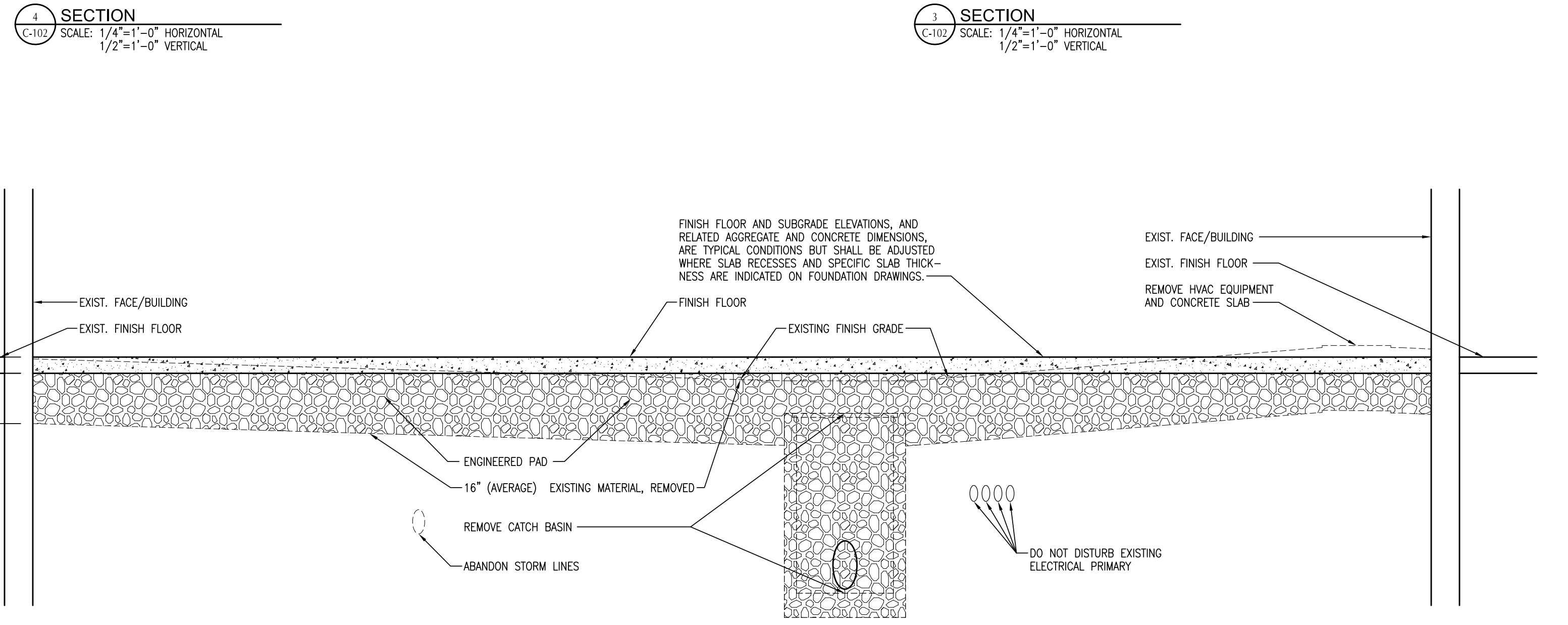
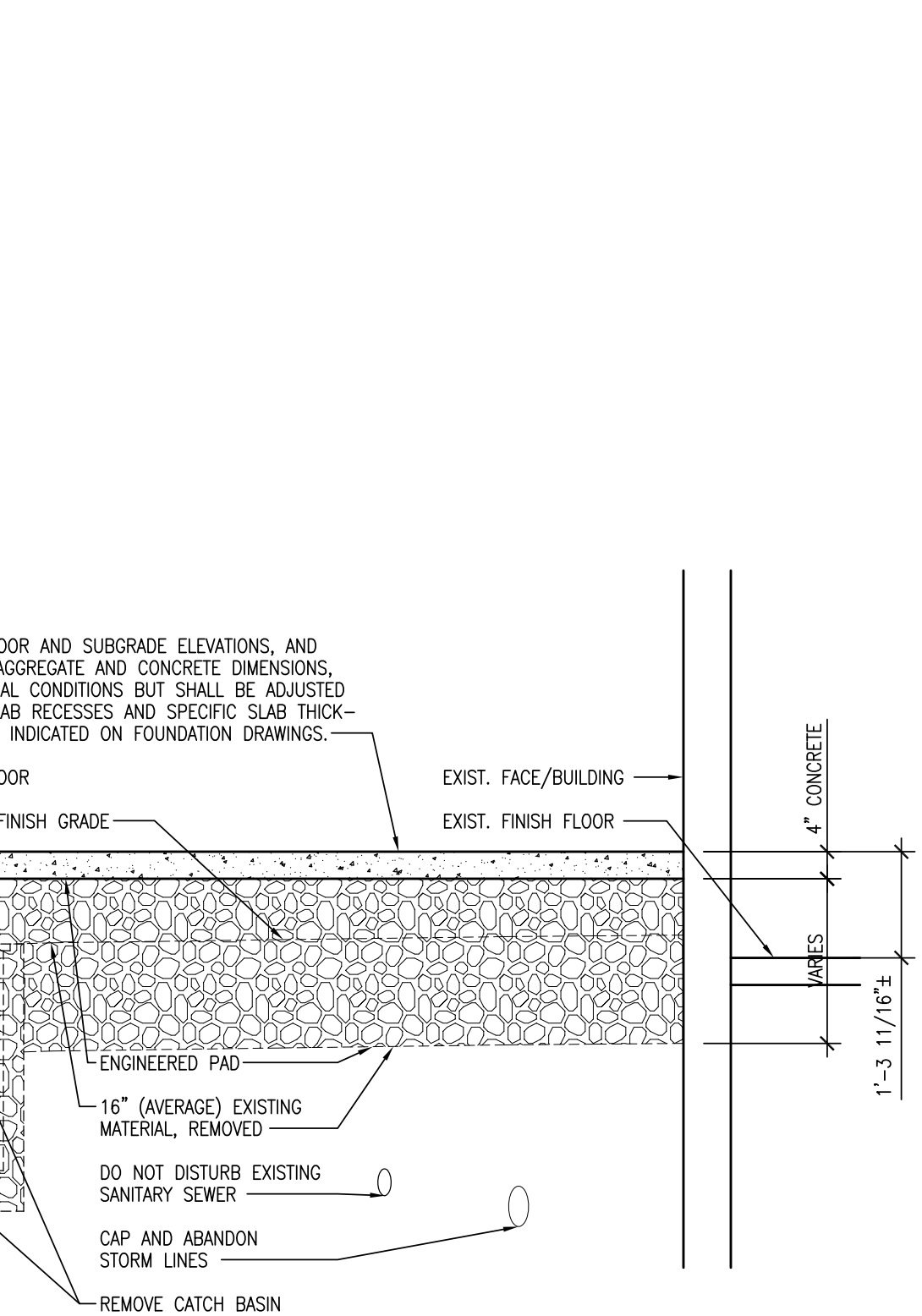
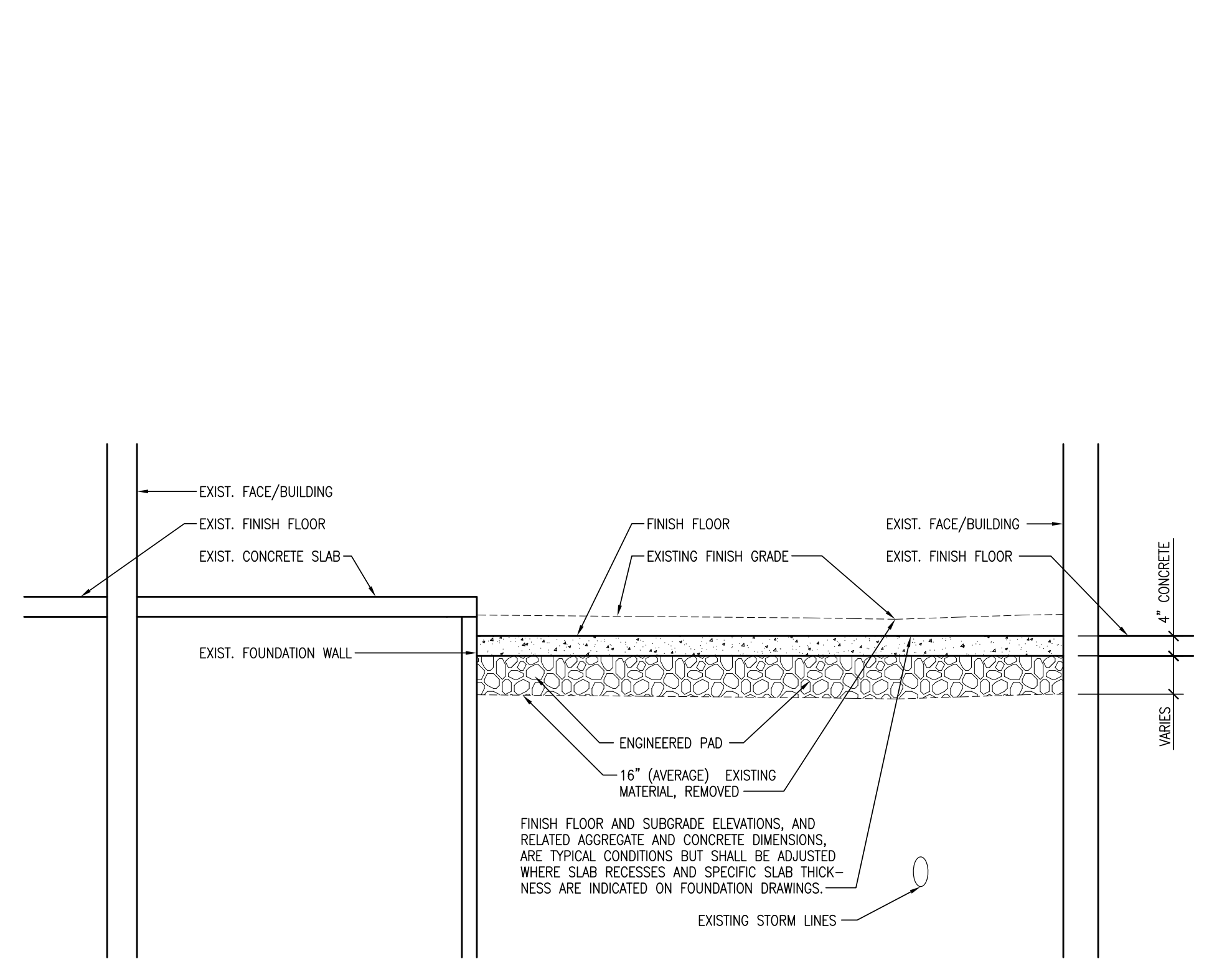
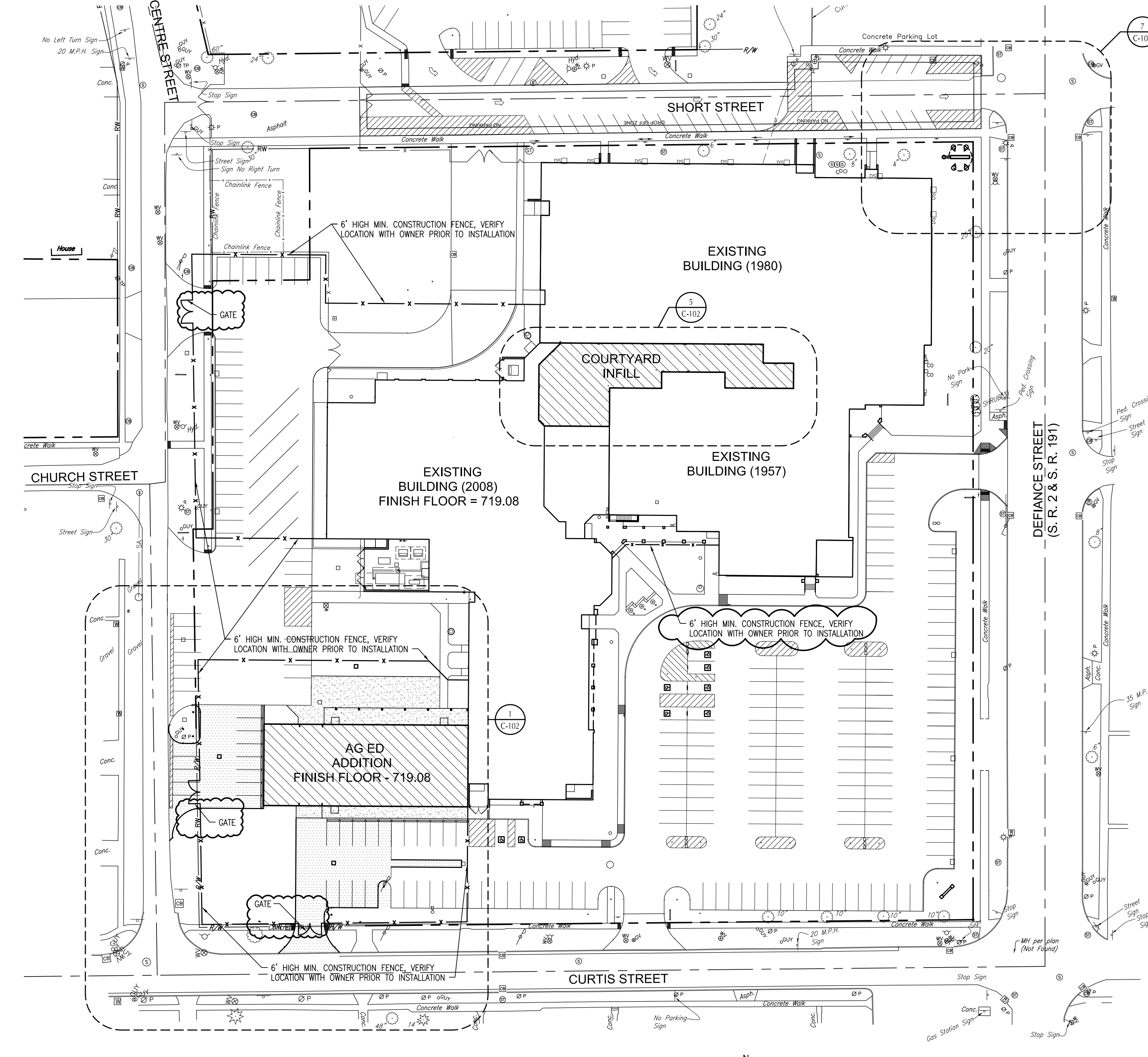
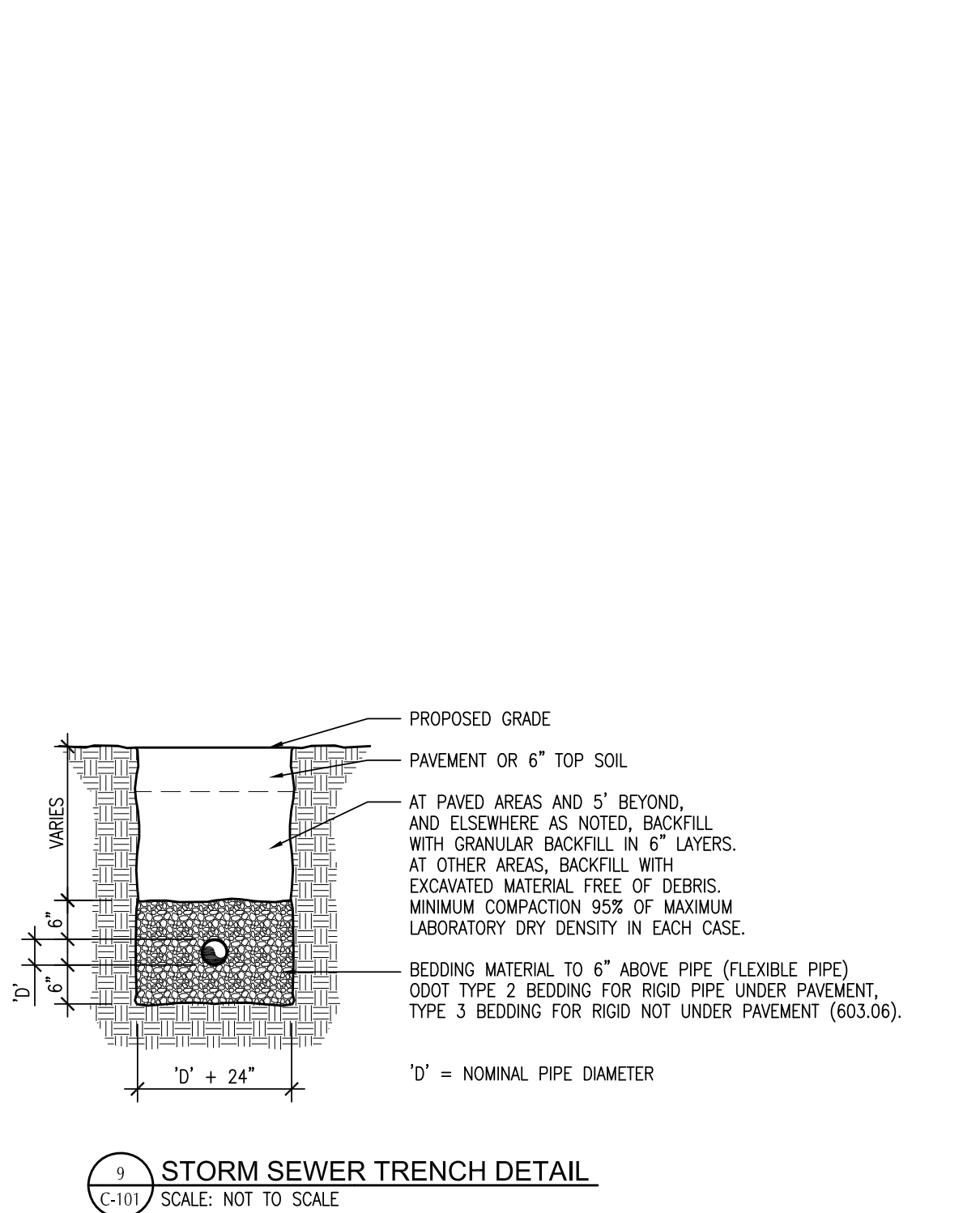
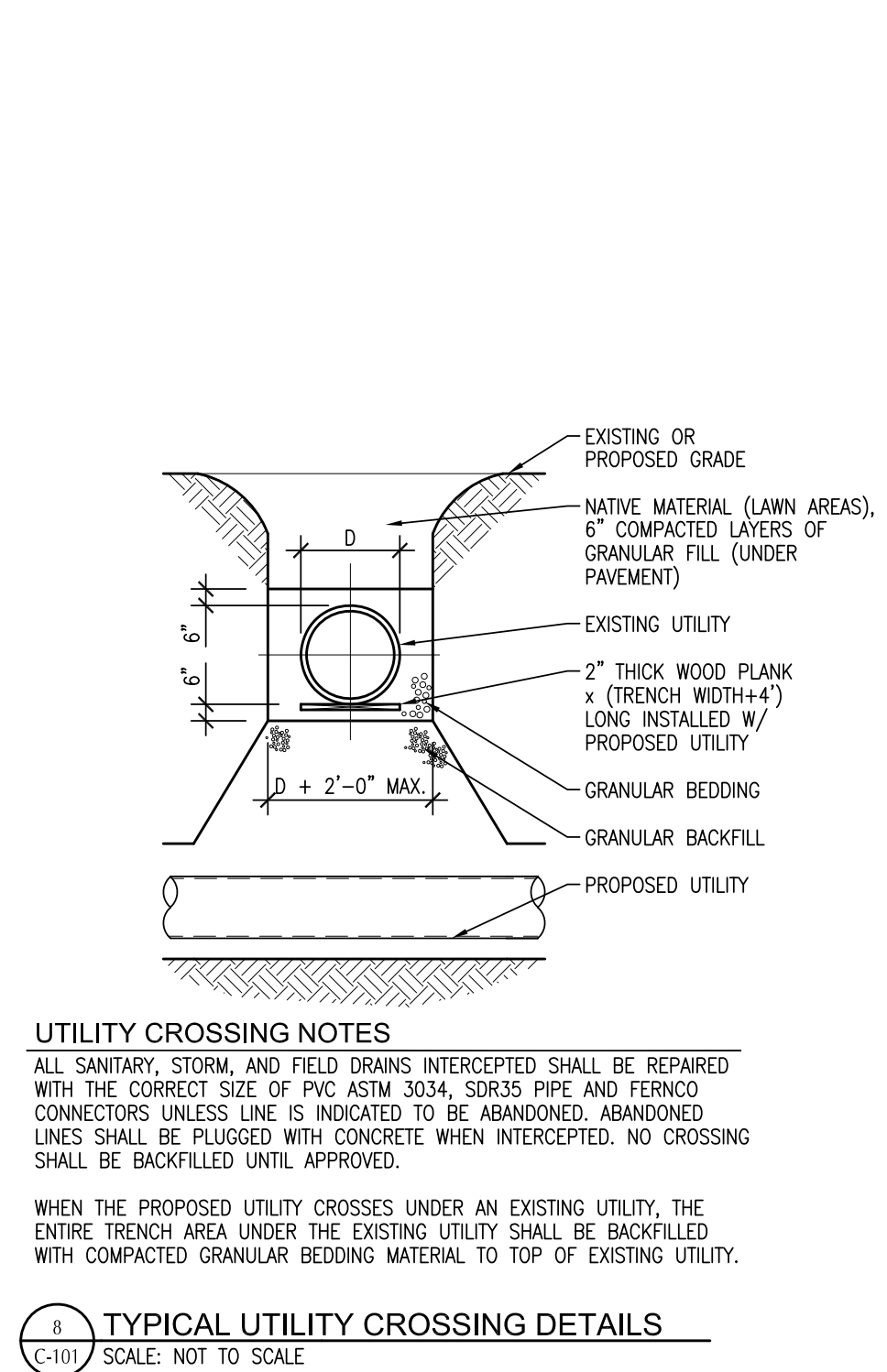
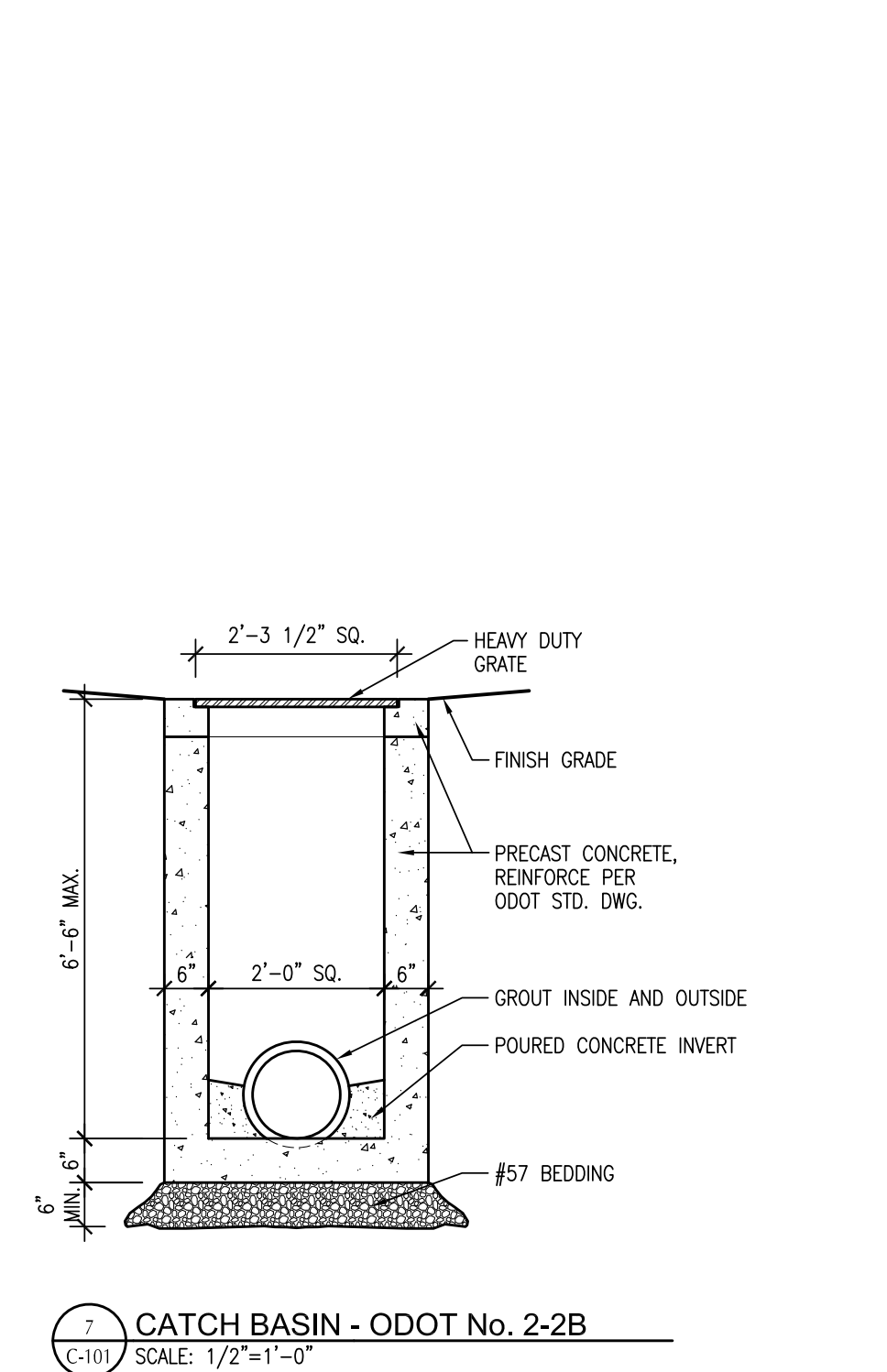
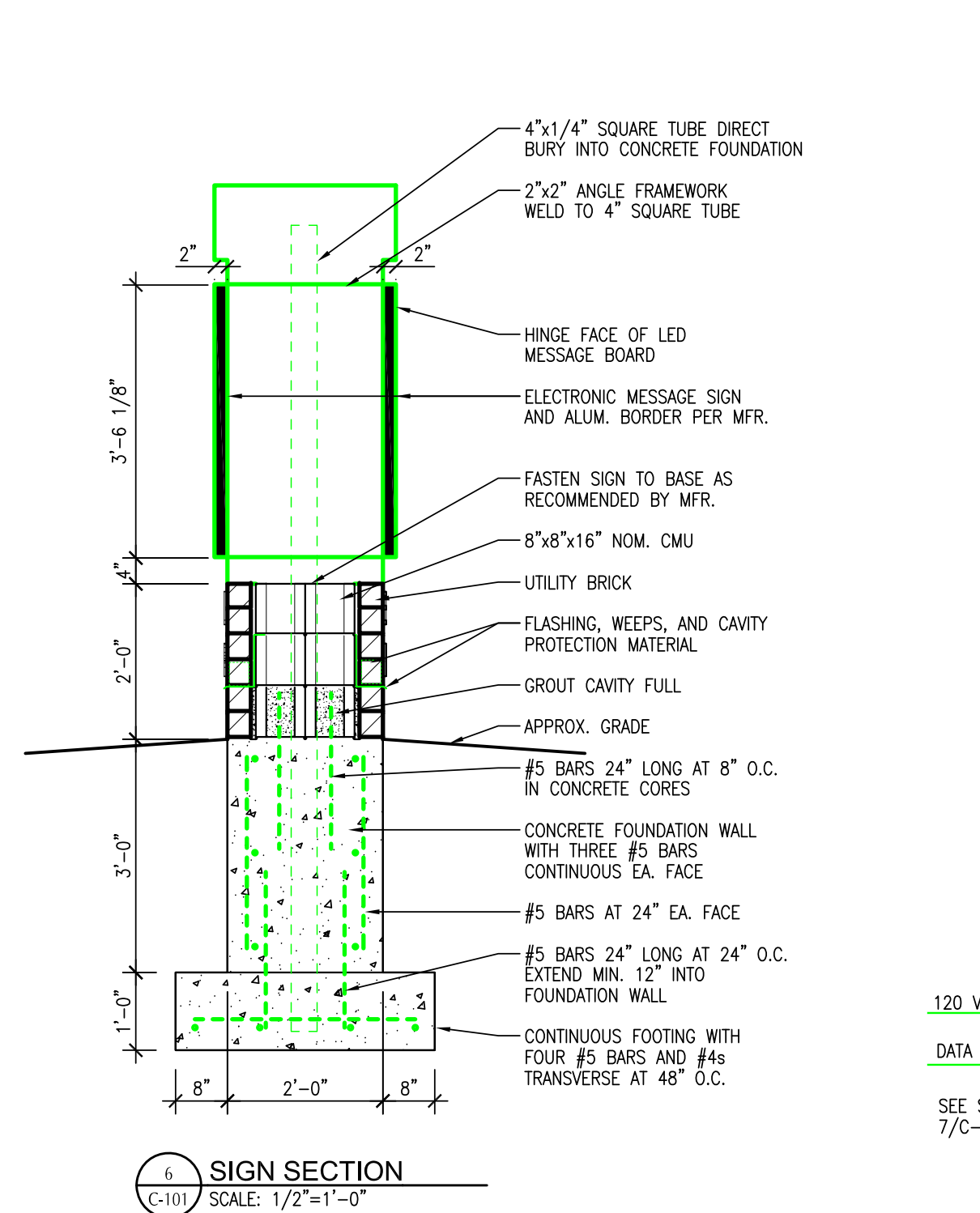
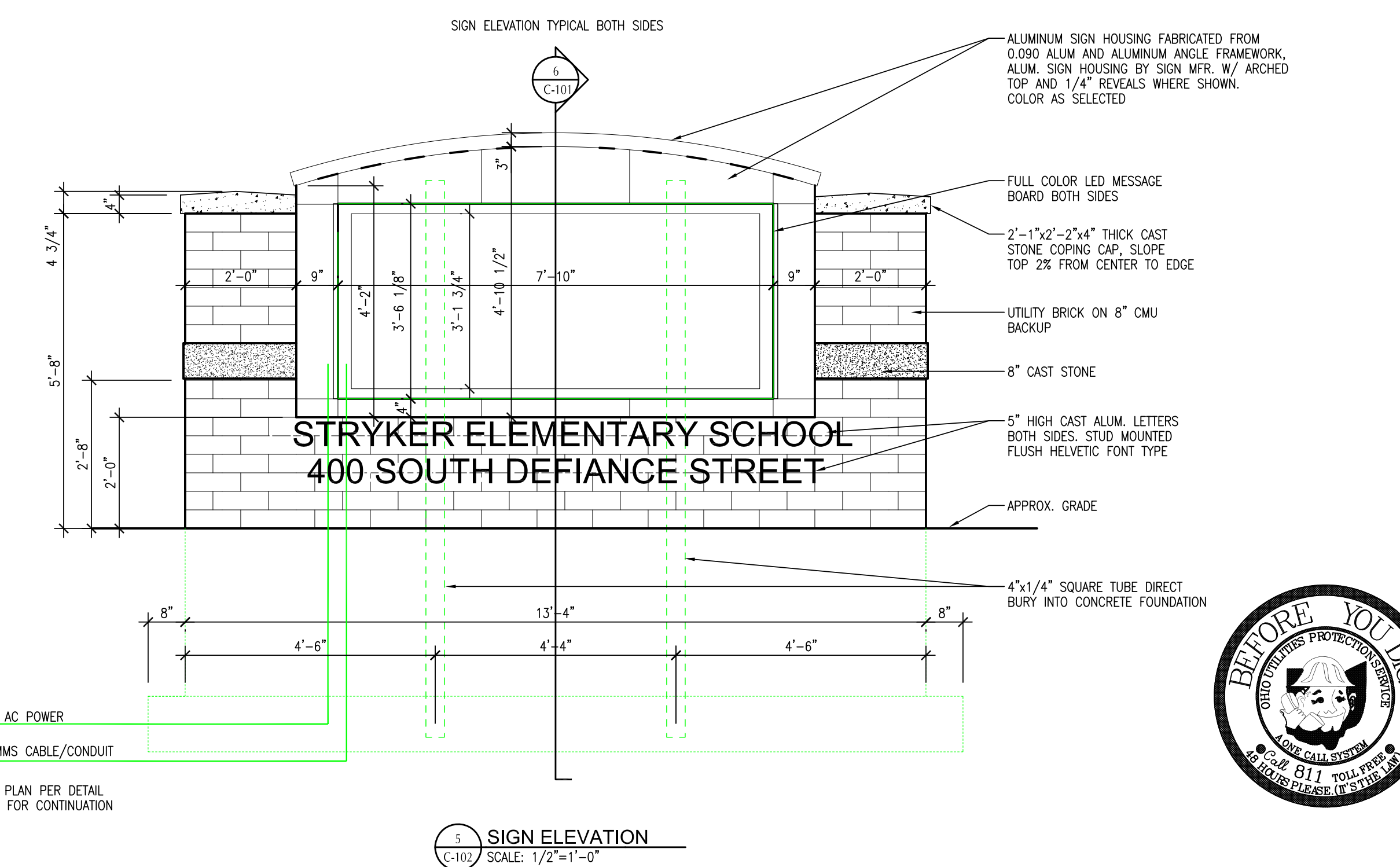
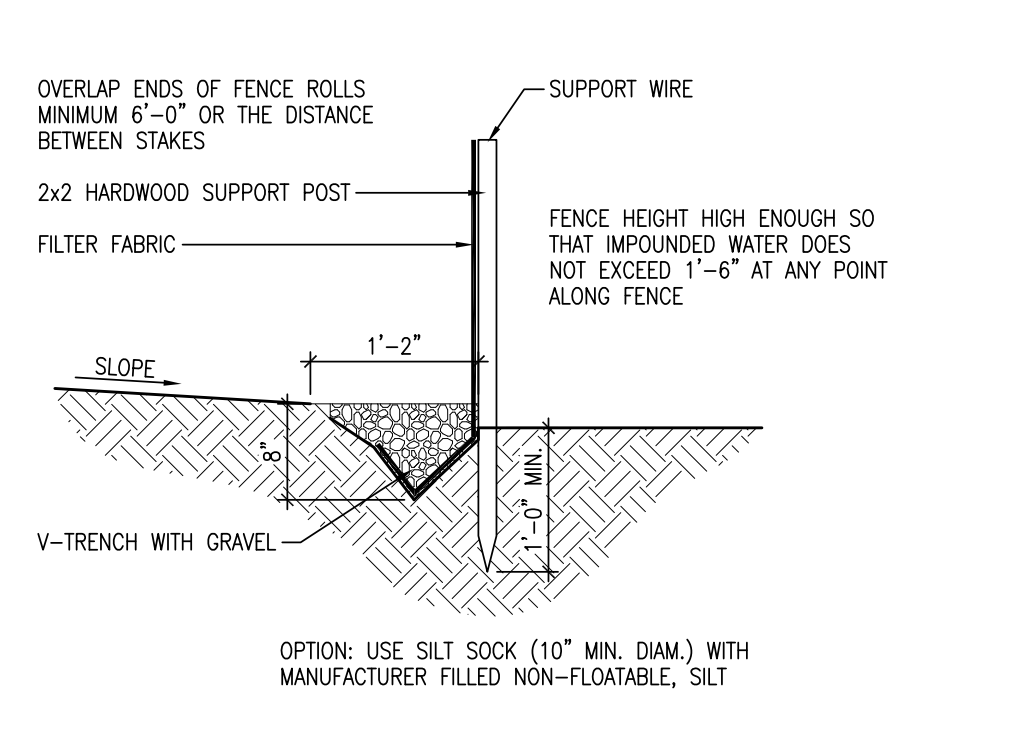
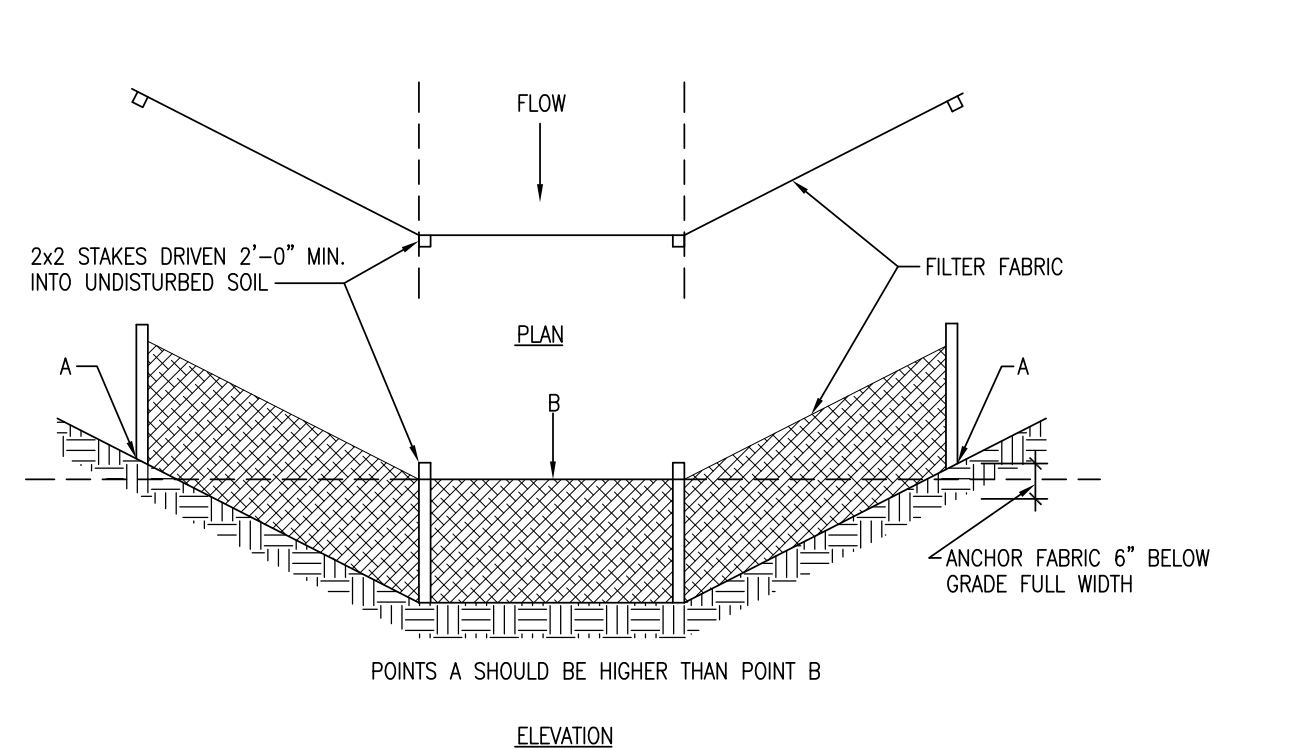
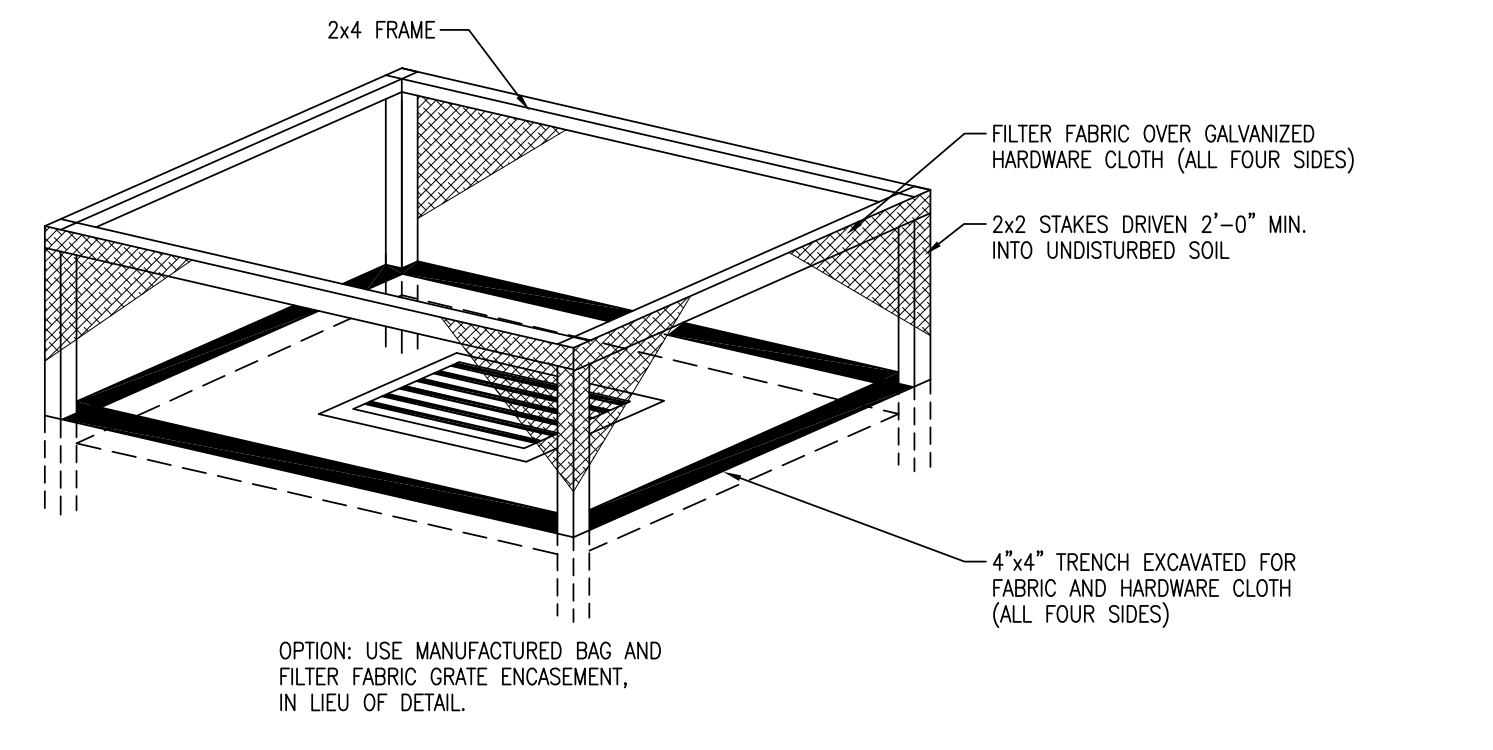
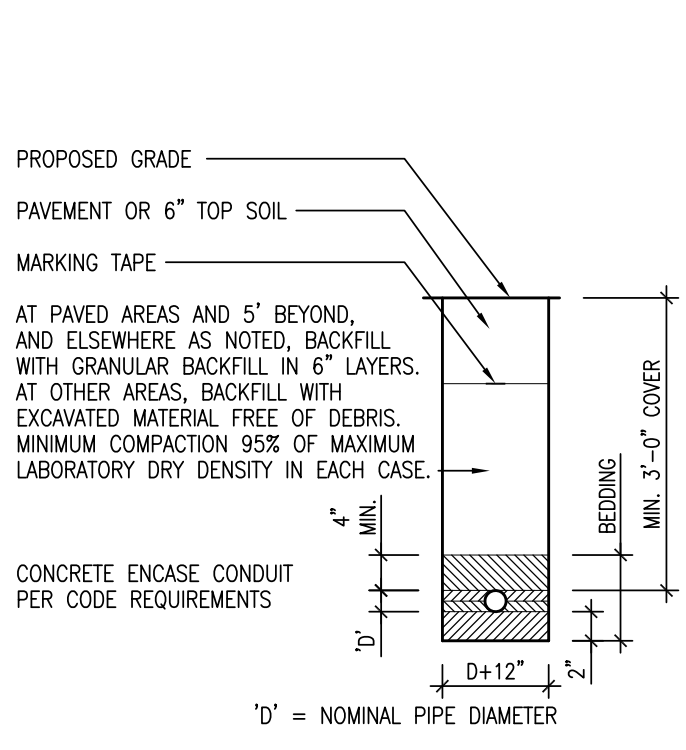
DRAWN BY: SB

CHECKED BY: KB

SHEET

C-101

ARCHITECTURE • CONSULTING • INTERIOR DESIGN • 701-1/2 WEST FIRST STREET • DEFIANCE • OHIO • 43512 • PHONE • 419 • 782 • 6211 • www.belharzarchitects.com



SCALE: 1/16"=1'-0"
 SCALE: 3/32"=1'-0"
 SCALE: 1/8"=1'-0"
 SCALE: 3/16"=1'-0"
 SCALE: 1/4"=1'-0"
 SCALE: 3/8"=1'-0"
 SCALE: 1/2"=1'-0"
 SCALE: 3/4"=1'-0"
 SCALE: 1"=1'-0"

Prepared By:

Todd Loser
ALL-PHASE ELEC SUP CO
1765 Findlay Road
Lima, OH 45801
tloser@apelima.com
D:4192211000

Proposal Name: Stryker School

Quote Name: Stryker School

Proposal Number: P-231122-4132048

Quote Number: Q-4563689

Quote Date: 04/19/2024

Through Addenda Number: 0

Sales Representative: Ryan Sancraint

Conditions of Sale

This Quotation is subject to Coordinated Project Terms. See <https://www.se.com/us/en/download/document/0100PL0043/>

Quoted price in currencies other than U.S. Dollars is per the annual Schneider Electric exchange guidance.
Quote is valid for 30 days. Quoted lead times are approximate and subject to change.

Schneider Electric reserves the right to amend, withdraw or otherwise alter this submission without penalty or charge as a result of any event beyond its control arising from or due to the current Covid-19 epidemic or events subsequent to this epidemic / pandemic including changes in laws, regulations, by laws or direction from a competent authority.

Seq #	Qty	Product Description
1	1	<p>Designation : MSP Product Details : 1 - Square D Standard Swbd-QED-2 Switchboard ----- Square D Standard Swbd Designed and Tested in accordance with: UL 891/NATIONAL ELECTRIC CODE/NEMA PB-2 System Voltage - 208Y/120V 3Ph 4W 60Hz System Ampacity - 2000A Source Description - Single Main Bussing - Aluminum Plated w/Tin and Copper Plated w/Silver Neutral Bus - 100% Max Available Fault Current (RMS) - 65kA Enclosure - Type 1 Accessibility: Front Only Exterior Paint Color - ANSI 49 Ground Lug provided for each device Aluminum Ground Bus</p> <p>Dimensions ----- 1 - 36" Wide Section(s) 1 - 48" Wide Section(s) 2 - 24" Deep Enclosure(s) Dimensions: 84.00" W X 24" Max D X 91.5" H Approximate Weight: 1857.00 lbs / 842.34 kgs</p> <p>Incoming Requirements ----- Suitable for Use As Service Entrance Entry Point: Left of Lineup, Through the Bottom Connection Type: Cable</p> <p>Mains ----- 1 - 2000AS/2000AT 208V 80% Rated 65 kA 3 Pole UL, Fixed Mounted Electronic Trip Circuit Breaker: Type RG Power Trip Unit, Long Time, Short Time, Instantaneous Maintenance Mode Switch</p> <p>Feeders ----- 2 - 800AS/800AT 208V 100% Rated 65 kA 3 Pole UL, Group Mounted Electronic Trip Circuit Breaker: Type PG Standard Trip Unit, Long Time, Instantaneous 1 - 1200AS/1200AT 208V 100% Rated 65 kA 3 Pole UL, Group Mounted Electronic Trip Circuit Breaker: Type RG Power Trip Unit, Long Time, Short Time, Instantaneous Energy Reduction Maintenance Switch 2 - 30AT 208V 80% Rated 65 kA 3 Pole UL, Group Mounted Thermal Magnetic Circuit Breaker: Type BG 1 - 150AT 208V 80% Rated 65 kA 3 Pole UL, Group Mounted Thermal Magnetic Circuit Breaker: Type QG 1 - 200AT 208V 80% Rated 3 Pole UL, Group Mounted Thermal Magnetic Prepared Space: Type QG 2 - 225AT 208V 80% Rated 65 kA 3 Pole UL, Group Mounted Thermal Magnetic Circuit</p>

Breaker: Type QG
1 - 200AT 208V 80% Rated 65 kA 3 Pole UL,
Group Mounted Thermal Magnetic Circuit
Breaker: Type QG
1 - 80AT 208V 80% Rated 65 kA 3 Pole UL,
Group Mounted Thermal Magnetic Circuit
Breaker: Type BG

REV	DESCRIPTION	BY	DATE						
-	----	--	--/--/--	-	----	--	--/--/--	-	----

SWITCHBOARD GENERAL NOTES

PRODUCT DESCRIPTION & RATINGS

Power System Data

208Y/120V 3Ph 4W 60Hz / 3 Phase Wye
 Solidly Grounded
 System Short Circuit Current Rating: 65kA RMS
 Incoming Section 1 Cable Through the Bottom Left of Lineup

Bus System Data

2000A Tin/Aluminum & Silver/Copper Main Bus
 (4) .25x2.00 IN/6x51 mm Al Bus Bar Per Phase/Neutral
 (1) .25x1.50 IN/6x38 mm Al Ground Bus

Enclosure Data

Type 1 Free Standing
 Exterior Paint Color: ANSI 49
 Front Accessibility Only Required
 Handling: Rollers & Lifting Assemblies

Estimated Shipping Weight

Shipping Split 1 897.00 lbs / 406.88 kgs
 Shipping Split 2 960.00 lbs / 435.46 kgs
 Complete Lineup 1857.00 lbs / 842.34 kgs

Code Standards

U.L. Deadfront and suitable for use as Service Entrance when not more than six (6) disconnecting means are provided.

Rating Nameplates

ST1- Service Entrance - Section Bus 2000A
 ST2- Deadfront - Section Bus 2000A

PRODUCT INFORMATION

Wiring

All wiring to be Machine Tool Wire type

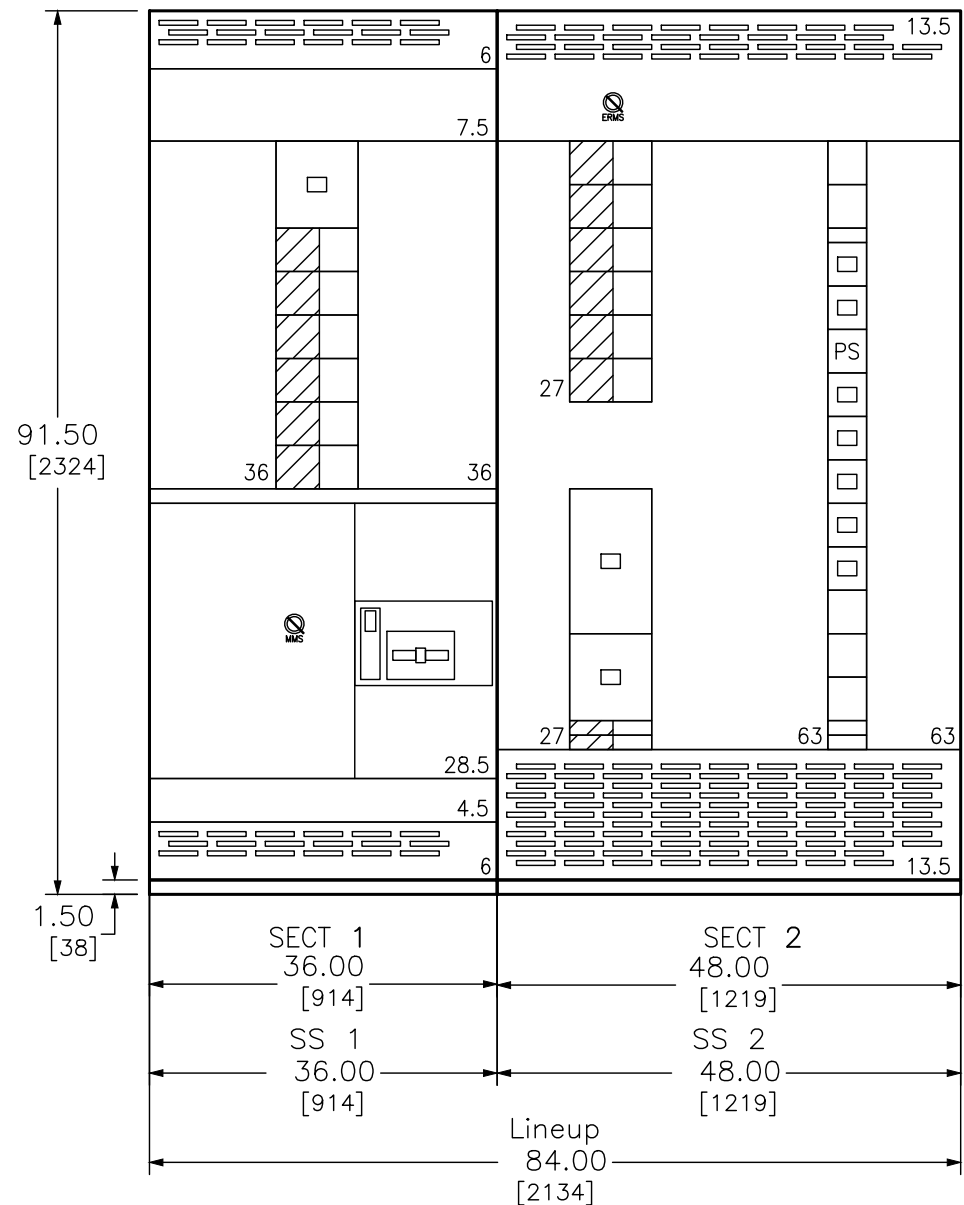
Instruction Bulletins

Reference 80043-055 For Handling, Installation, Anchoring, Inspection And Maintenance Information

Product Accessories/Options

24V Trip Unit Display Power
 Locally Mounted MMS Switch
 Locally Mounted ERMS Switch

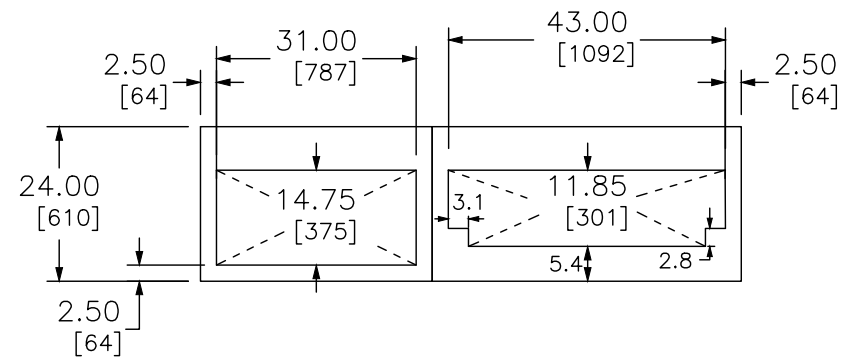
T-bus 19.5 in T-bus 19.5 in



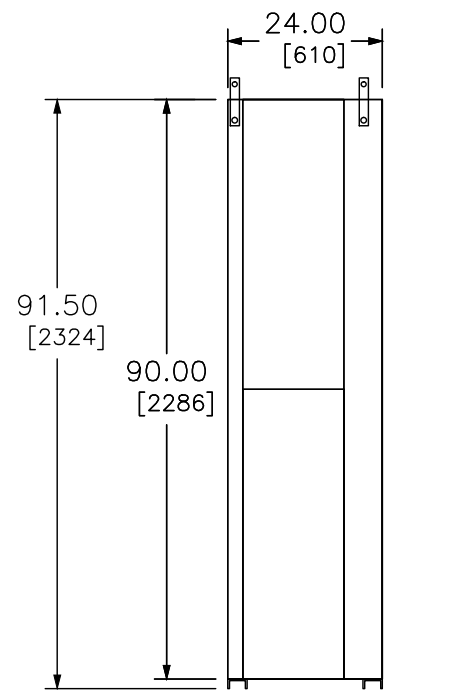
DUAL DIMENSIONS: INCHES
 MILLIMETERS

JOB NAME: Stryker School	EQUIPMENT DESIGNATION: MSP
JOB LOCATION:	EQUIPMENT TYPE: QED-2 Switchboard
DRAWN BY: (Q2C)	DRAWING TYPE: GENERAL NOTES
ENGR:	SQUARE D by Schneider Electric
DATE: April 19 2024	
DRAWING STATUS: QUOTE	DWG# FQ-4563689-133224474-01

REV	DESCRIPTION	BY	DATE						
-	----	--	--/--/--	-	----	--	--/--/--	-	----

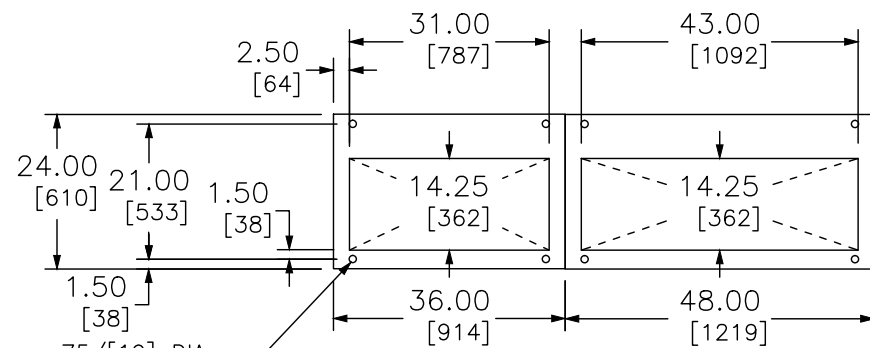


TOP VIEW - FRONT



LEFT SIDE VIEW

INCOMING ONLY
LOAD CABLES
EXIT THRU TOP



FLOOR PLAN - FRONT

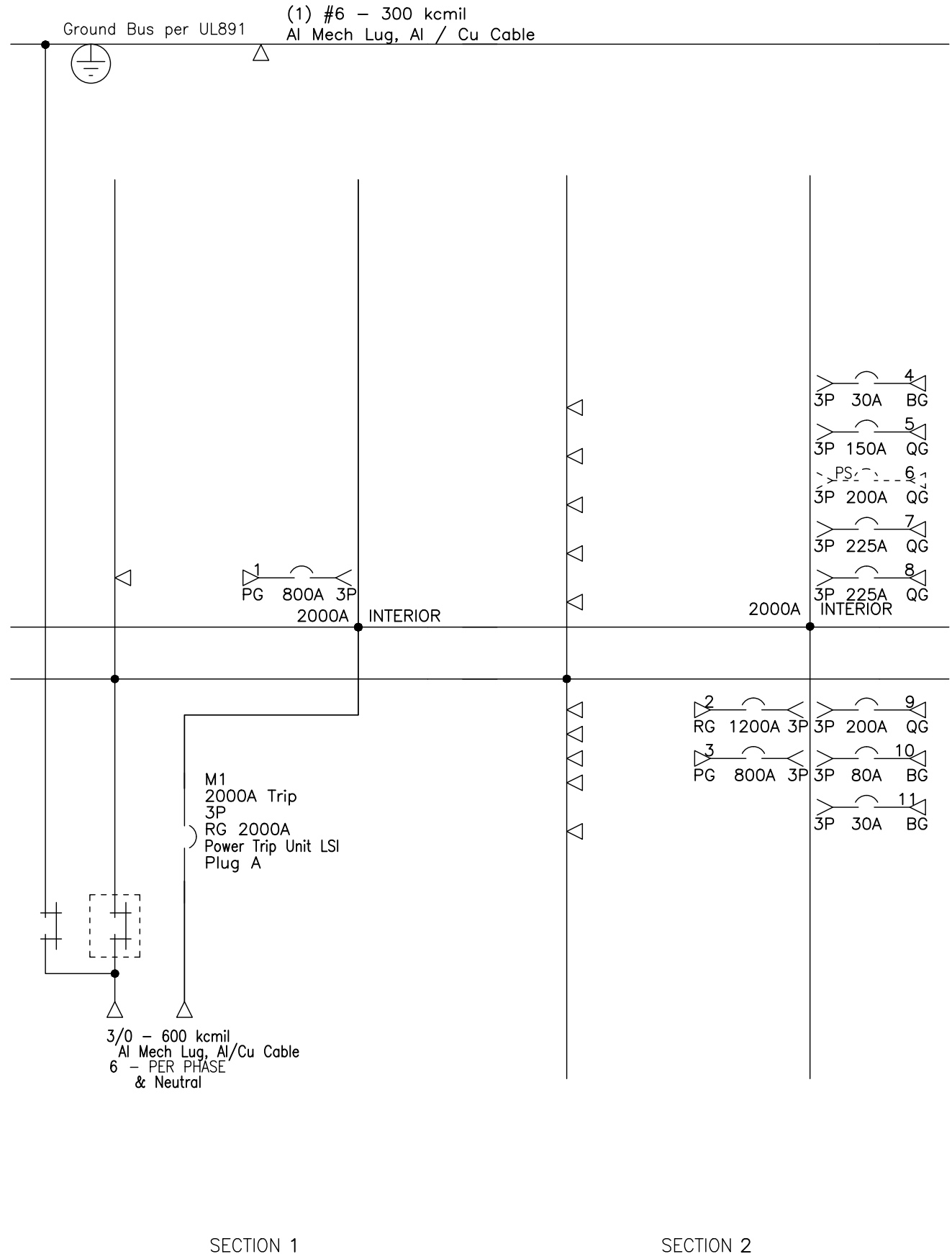
.75/[19] DIA
MTG HOLES OFFSET
3.00/[76] TYP
FROM SIDE

NOTE: ALL DEVICES REQUIRING DRILLING OR INSERTION IN MOUNTING PAD
SUCH AS CONDUIT, ANCHORING STUDS, SLEEVE INSERTS, ETC.
SHOULD BE INSTALLED BEFORE SETTING EQUIPMENT IN PLACE.

DUAL DIMENSIONS: INCHES
MILLIMETERS

JOB NAME:	Stryker School	EQUIPMENT DESIGNATION:	MSP
JOB LOCATION:		EQUIPMENT TYPE:	QED-2 Switchboard
DRAWN BY:	(Q2C)	DRAWING TYPE:	SIDE, TOP VIEW & FLOOR PLAN
ENGR:		SQUARE D by Schneider Electric	
DATE:	April 19 2024	DWG#	FQ-4563689-133224474-01
DRAWING STATUS:	QUOTE	PG 2	OF 2
		REV	-

REV	DESCRIPTION	BY	DATE						
-	----	--	--/--/--	-	----	--	--/--/--	-	----




JOB NAME:	Stryker School	EQUIPMENT DESIGNATION:	MSP
JOB LOCATION:		EQUIPMENT TYPE:	QED-2 Switchboard
DRAWN BY:	(Q2C)	DRAWING TYPE:	ONE LINE
ENGR:		SQUARE D by Schneider Electric	
DATE:	April 19 2024	DWG#	OQ-4563689-13324474-01
DRAWING STATUS:	QUOTE	PG	1 OF 2
		REV	-

REV	DESCRIPTION	BY	DATE												
-	----	--	--/--/--	-	----										

POWER STYLE QED-2 SWITCHBOARD

LEGEND	
ERMS	Energy Reduction Maintenance SW
MMS	Maintenance Mode Setting Switch
TU	24V Trip Unit Display Power

SECT NO	CKT NO	IMD /GMD CONFIG	DEVICE/FRAME RATING	TRIP AMP	FUSE/TRIP	#P	DESIGNATION	N/P	LUG/WIRE INFORMATION				ACCESSORIES / NOTES
									QTY	PHASE WIRE RANGE	QTY	NEUT WIRE RANGE	
1	1	9 in	PG800A Plug A 100%	800A	S-LI	3P		No	3	3/0 - 500 kcmil	3	3/0 - 500kcmil	
1	M1	FIX	RG 2000A Plug A	2000A	P-LSI	3P		No	6	3/0 - 600 kcmil	6	3/0 - 600 kcmil	MMS,TU
2	2	15 in	RG1200A Plug A 100%	1200A	P-LSI	3P		No	4	3/0 - 500 kcmil	4	3/0 - 500kcmil	ERMS,TU
2	3	9 in	PG800A Plug A 100%	800A	S-LI	3P		No	3	3/0 - 500 kcmil	3	3/0 - 500kcmil	
2	4	4.5 in	BG	30A	-	3P		No	1	#14 - 1/0 AWG	1	#14 - 1/0 AWG	
2	5	4.5 in	QG	150A	-	3P		No	1	#4 - 300 kcmil	1	#4 - 300 kcmil	
2	6	4.5 in	QG (PS)	(200A)	-	3P		No	1	#4 - 300 kcmil	1	#4 - 300 kcmil	
2	7	4.5 in	QG	225A	-	3P		No	1	#4 - 300 kcmil	1	#4 - 300 kcmil	
2	8	4.5 in	QG	225A	-	3P		No	1	#4 - 300 kcmil	1	#4 - 300 kcmil	
2	9	4.5 in	QG	200A	-	3P		No	1	#4 - 300 kcmil	1	#4 - 300 kcmil	
2	10	4.5 in	BG	80A	-	3P		No	1	#14 - 1/0 AWG	1	#14 - 1/0 AWG	
2	11	4.5 in	BG	30A	-	3P		No	1	#14 - 1/0 AWG	1	#14 - 1/0 AWG	

JOB NAME:	Stryker School	EQUIPMENT DESIGNATION:	MSP
JOB LOCATION:		EQUIPMENT TYPE:	QED-2 Switchboard
DRAWN BY:	(Q2C)	DRAWING TYPE:	SCHEDULE
ENGR:		 <small>by Schneider Electric</small>	
DATE:	April 19 2024		
DRAWING STATUS:	QUOTE	DWG#	QQ-4563689-133224474-01
		PG	2 OF 2
		REV	-



701½ West First Street
Defiance, OH 43512
Phone 419-782-6211
architects@beilharzinc.com

April 29, 2024

STRYKER LOCAL SCHOOLS
Ag Ed Addition and Courtyard Infill
Stryker, Ohio

C0-4681

BID QUESTION LOG #2

The following questions and answers are distributed for supplemental information and clarification, and are not part of the Contract Documents. Questions answered by Addendum items are not necessarily repeated in this document.

- Q1. Plumbing drawing page P-101 note 8 states extend new water supply piping above ceiling to existing supply. There is a detail and speck section for a new water heater. Is there a new water heater and if so where does it get located.
- A. Refer to Partial Basement Plumbing Plan 4, Sheet P-101.
- Q2. Plumbing drawing P102 note 14 shows a air compressor on the drawing. Does the plumbing contractor need to provide the air compressor. I don't see any specks on the air compressor Please advise
- A. Refer to Addendum 1, Item 14.
- Q3. Does anyone know what the manufacturer is on the existing MDP#2 that they are wanting to add a 1200a switch to on sheet E-601?
- A. The existing MDP#2 is Square D.

END OF BID QUESTION LOG #2